



Spare Parts Catalogue

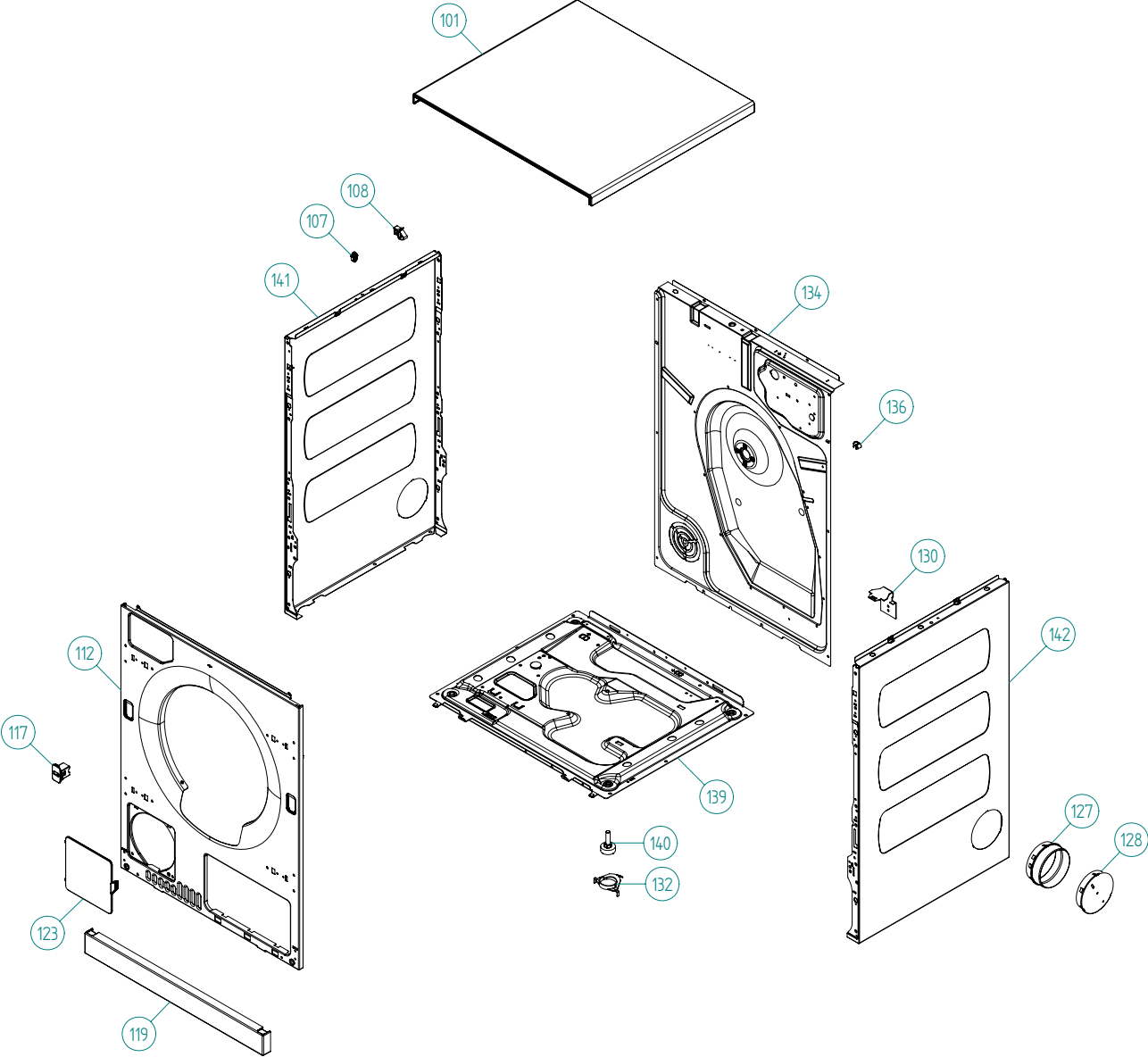
ASKO Tumble Dryers \ ASKO 700 Series
Type: TD60.2
Model: T783 US Stainless

Prod. No: 10778301

March 9th 2012

ASKO Appliances Inc.

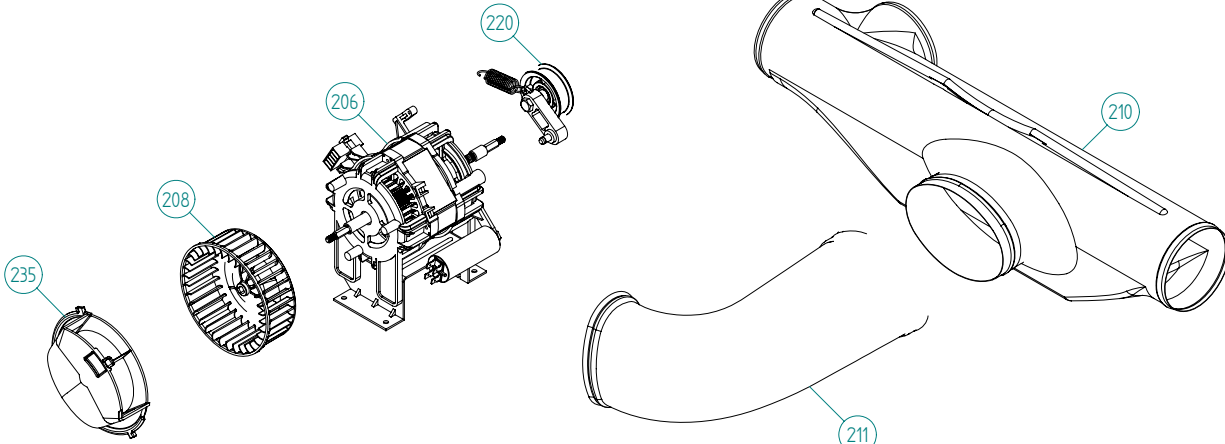
4001 E Plano Parkway #1004001 E Plano Parkway #100
Plano, Texas 75074



Outer Casing

ASKO, T783 US - Stainless (TD60.2)

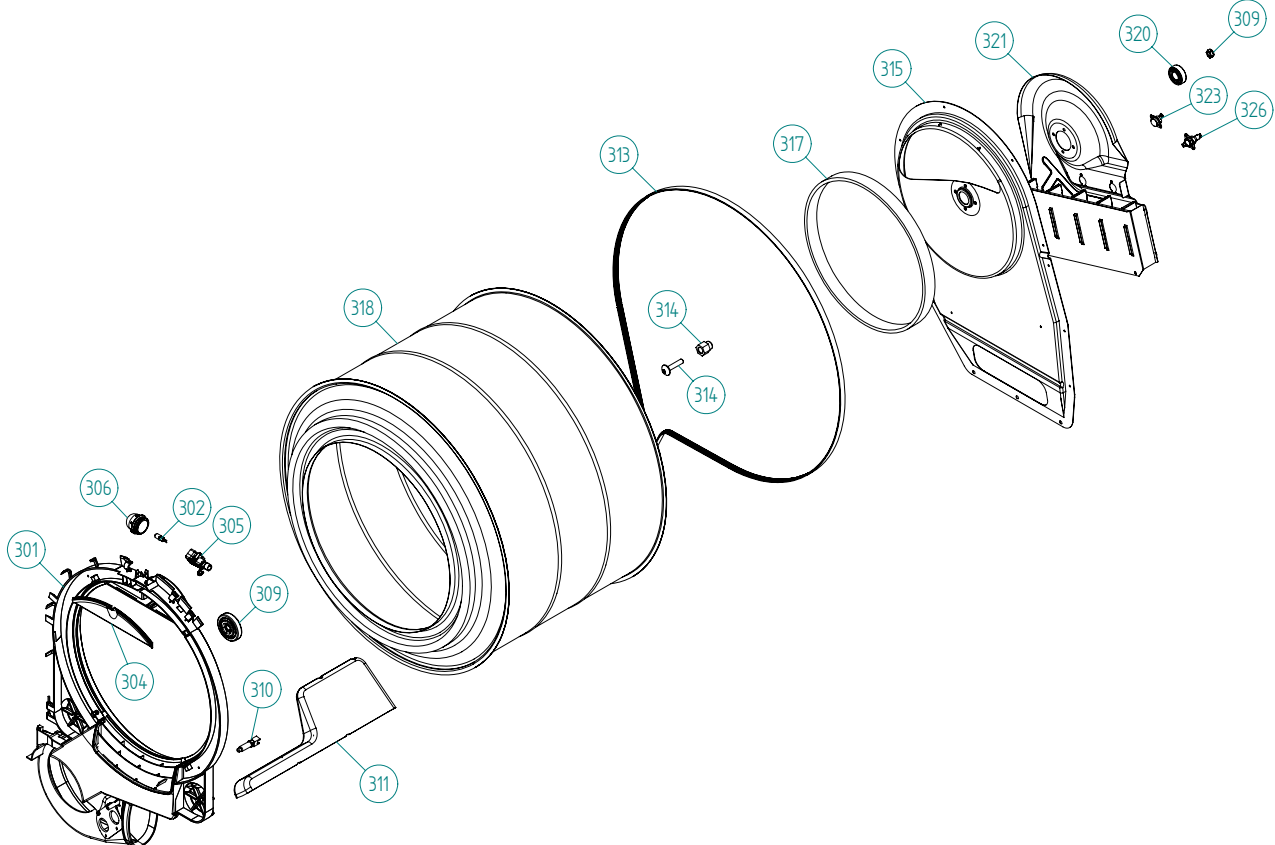
Pos	Spare part No.	Description	Qty	Comment
101	8061817-91	TOP COVER FPR	1 Pc's	
101-a	8902362	Screw 20 Torx Self Tapping	3 Pc's	
101-b	8901413	Lock Washer laundry tops	2 Pc's	
106	8801175-91	SIDE PLATE COMPL.LEFT TD20 EXH	1 Pc's	
107	8061763	Clip Front Plate 600700s	2 Pc's	
108	8061916	CABLE HOLDER WMD20	2 Pc's	
112	8076031-91	FRONT	1 Pc's	
112-a	8902362	Screw 20 Torx Self Tapping	2 Pc's	
112-b	8900327	Screw 20 Torx Self Tapping	4 Pc's	
117	8093526-81	LOCK PUSH/PUSH	1 Pc's	
119	8076080-81	PLINTH	1 Pc's	
123	8076075-81	COVER FOR FAN HOUSING	1 Pc's	
127	8052641	Collar Vent Exhaust TD	1 Pc's	
128	8052640-81-UL	Exhaust lid titanium	2 Pc's	
130	8053980	Stacking Bracket All TDs	2 Pc's	
132	8064114	Pair, Holders, TD Feet/Stacking	1 Pc's	
134	8079947	REAR PANEL OUTER PUNCHED TD25	1 Pc's	
134-a	8902362	Screw 20 Torx Self Tapping	10 Pc's	
136	8061915	Cable Holder T700	1 Pc's	
139	8061618	BASE PAN WMD20	1 Pc's	
140	8059334	Leveling Leg Comp WMD 20	4 Pc's	
141	8801175-91	SIDE PLATE COMPL.LEFT TD20 EXH	1 Pc's	
141	8801176-91	SIDE PLATE COMPL.RIGHT TD20EXH	1 Pc's	
142	8801176-91	SIDE PLATE COMPL.RIGHT TD20EXH	1 Pc's	



Lower session

ASKO, T783 US - Stainless (TD60.2)

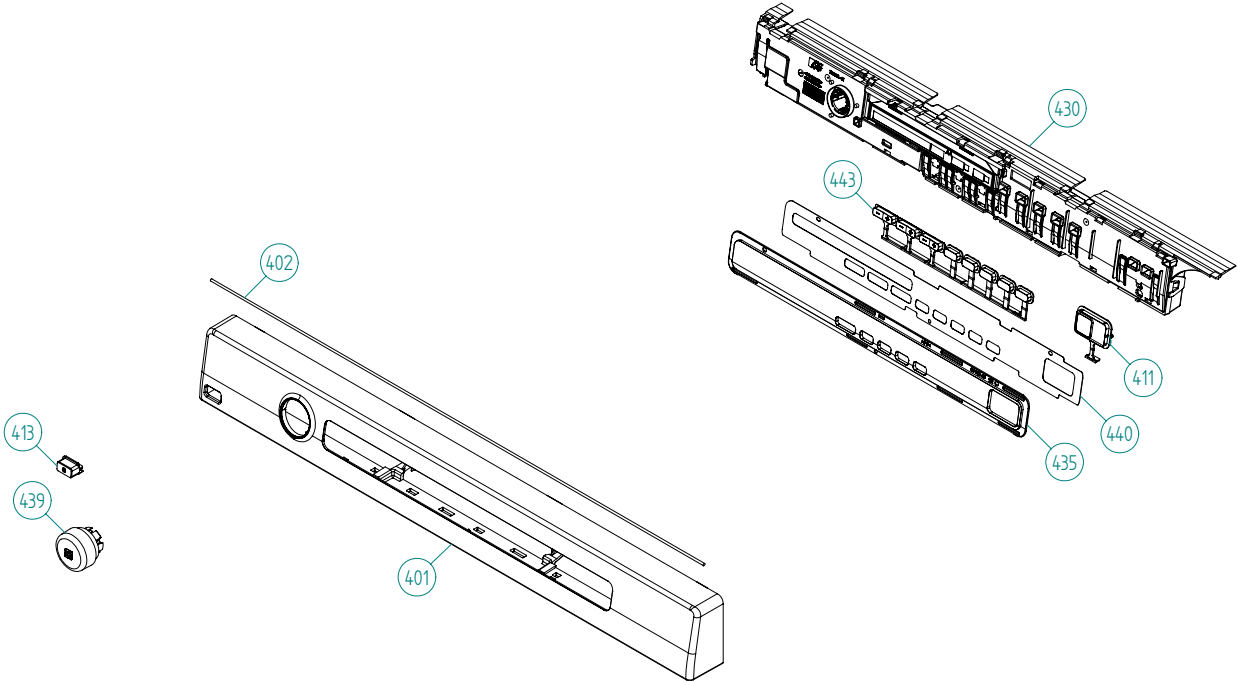
Pos	Spare part No.	Description	Qty	Comment
206	8061895	MOTOR COMPL. 60HZ TD20	1 Pc's	
206-a	8901969	SCREW MRT-TT 5x12 FZB T20	4 Pc's	
206-b	8080119	Capacitor 8UF 450V-Dryer Motor	1 Pc's	
206-c	8054640	CAPACITOR 4UF 400V	1 Pc's	For ACC motor
208	8065797	Fan Impeller 120MM	1 Pc's	
210	8052638	T-Tube w/o Recirc holes	1 Pc's	
211	8052639	Exhaust Canal Bend	1 Pc's	
220	8801490	Tension Wheel w/Belt & Spring	1 Pc's	
235	8077484-49	COVER FOR FAN HOUSING	1 Pc's	



Cylinder and related parts

ASKO, T783 US - Stainless (TD60.2)

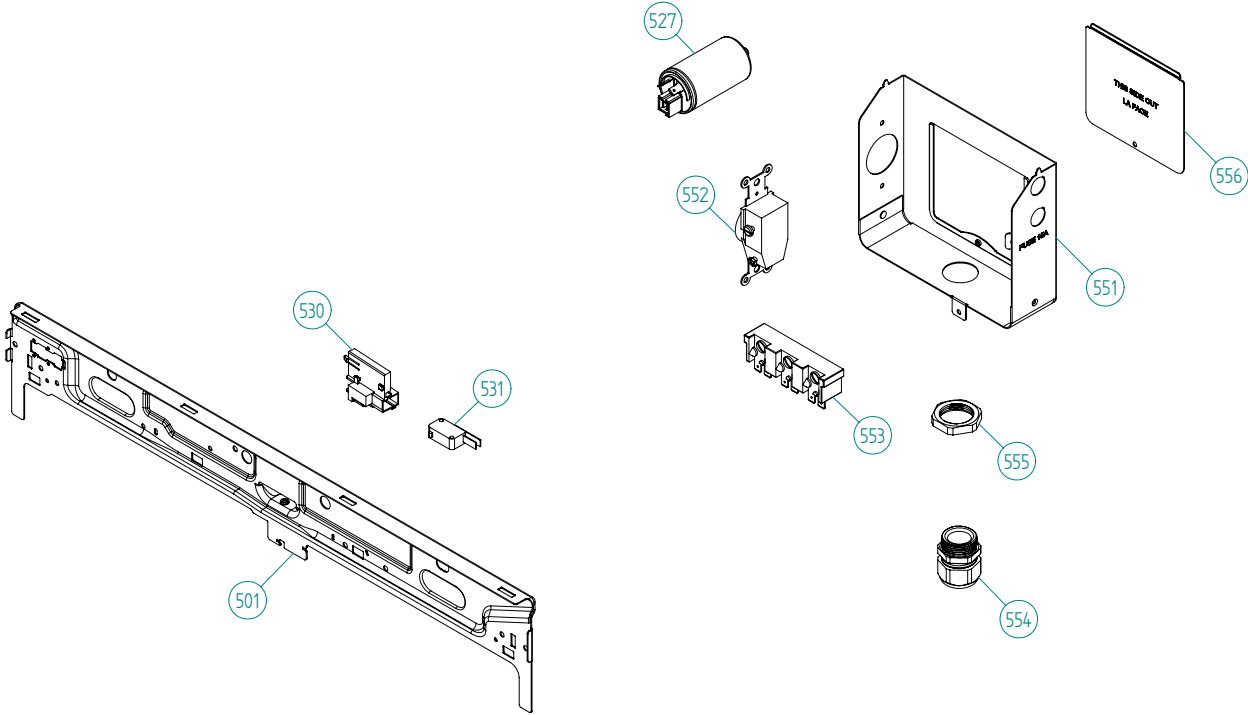
Pos	Spare part No.	Description	Qty	Comment
301	8801322	Front Frame Compl TD60	1 Pc's	
301-a	8902066	SCREW A2-PTK 35X14 WN1453 PF	4 Pc's	
302	8073830	Halogen Lamp	1 Pc's	
304	8061932-49	Lamp housing lid grey TD21	1 Pc's	
305	8077518	LAMP SOCKET	1 Pc's	
306	8061887	Lamp Chimney	1 Pc's	
309	8052622	Drum Roller Frt TD	2 Pc's	
309-a	8901337	Washer	2 Pc's	
309-b	8901193	Locking Nut	2 Pc's	
309-c	8901028	Screw	2 Pc's	
310	8083344	THERMISTOR TD	1 Pc's	
311	8052589-49	PADDLE TD	2 Pc's	
313	8801490	Tension Arm w/Belt & Spring	1 Pc's	
314	8052632	Bushing Rear Drum 03/05 TD	1 Pc's	
314-a	8901130	SCREW A4-MVBF M8X40 7,9-8,0 HG	1 Pc's	
315	8076335	REAR PANEL INNER TD25	1 Pc's	
317	8064440	Felt sealing rear	1 Pc's	
318	8079449	CYLINDER COMPL TD	1 Pc's	
318	8079493	CYLINDER COMPL. TD	1 Pc's	
320	8004439	Bearing Dryer Rear Panel All	1 Pc's	
321	8079288	HEATING ELEMENT 3000W	1 Pc's	
321-a	8900369	Screw T25	2 Pc's	
321-b	8901415	LOCK WASHER AZ 5.3 GALV	2 Pc's	
323	8079291	THERMISTOR	1 Pc's	
323-a	8900327	Screw 20 Torx Self Tapping	1 Pc's	
326	8079737	THERMOSTAT 150C UL	1 Pc's	



Control Panel

ASKO, T783 US - Stainless (TD60.2)

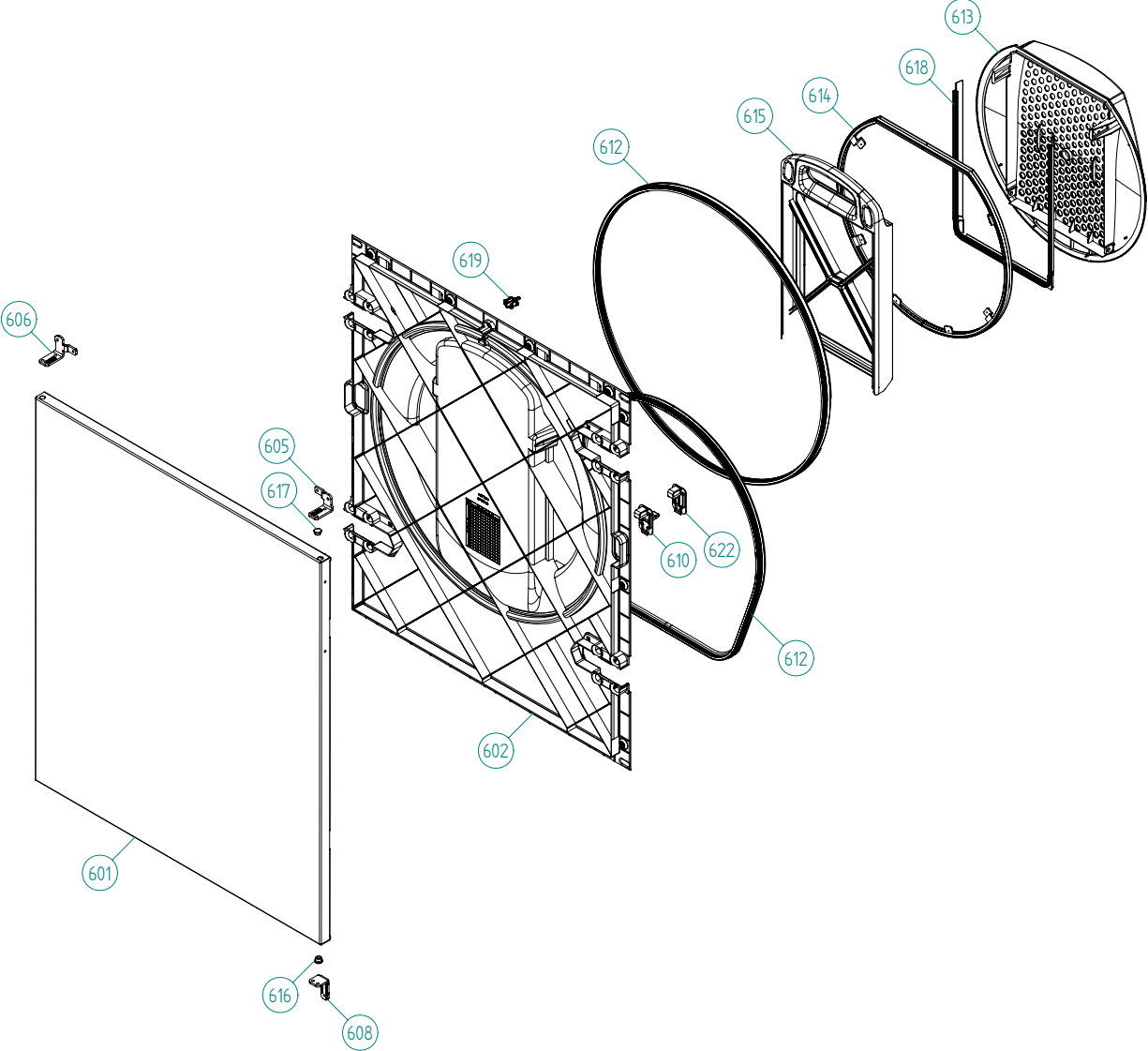
Pos	Spare part No.	Description	Qty	Comment
401	8083062-81-UL	PANEL ASKO T783	1 Pc's	
402	8079749	Rubber Seal-Cntrl Panel to Brd	1 Pc's	
411	8081749-81	PUSHBUT. START/STOP PRINTED TD	1 Pc's	
413	8081710-81	PUSHBU. MAINSWITCH WMD60.2 UL4	1 Pc's	
430	8080604	CONTROL UNIT TD60.2	1 Pc's	
435	8081805	LENS 5-OPTIONS TD60.2	1 Pc's	
440	8082160-81	DECOR PLATE 5-OPTIONS TD60.2	1 Pc's	
441	8082163-33	ASKO A	1 Pc's	
442	8082421-81-UL	KNOB ASKO WMD60.2 COMPL. UL4	1 Pc's	
443	8081527-81	KEY SET 8-BUTTONS	1 Pc's	



Upper session

ASKO, T783 US - Stainless (TD60.2)

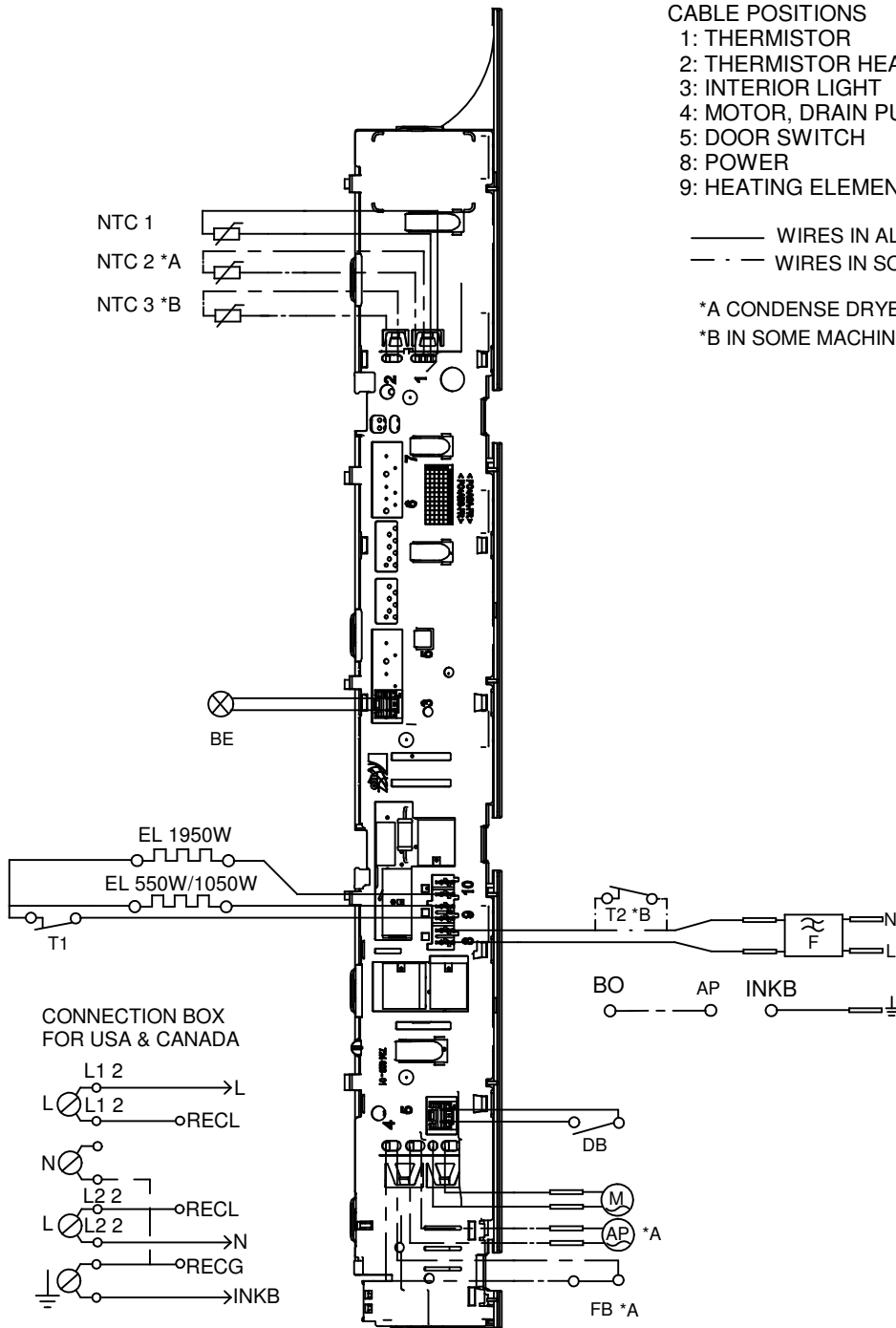
Pos	Spare part No.	Description	Qty	Comment
501	8076029	FRONTBEAM	1 Pc's	
501-a	8902362	Screw 20 Torx Self Tapping	2 Pc's	
501-b	8901413	Lock Washer laundry tops	2 Pc's	
527	8076202	EMC-FILTER WITH INDUCTOR	1 Pc's	
527-a	8901155	Nut	1 Pc's	
527-b	8901419	Lock Washer	1 Pc's	
529	8079837	CABLE SET T TD UL4	1 Pc's	
529	8079842	CABLE SET MO TD UL4	1 Pc's	
529	8079845	CABLE SET Thermistor TD60	1 Pc's	
529	8083020	CABLE SET BE TD UL4	1 Pc's	
529	8083027	CABLE SET EL TD UL4	1 Pc's	
529	8082567	CABLE SET P TD UL4	1 Pc's	
529	8083019	CABLE SET LB TD UL4	1 Pc's	
530	8077519	BRACKET FOR DOOR SWITCH	1 Pc's	
531	8073836	MICROSWITCH DOOR	1 Pc's	
551	8076324	Connection box T711	1 Pc's	
552	8061455	Receptacle 05 WMD Connect	1 Pc's	
553	8061891	Terminal Block DryerTD 20	1 Pc's	
554	8060462	Grommet	1 Pc's	
554	8078291	GROMMET 94793	1 Pc's	
555	8060463	Lock Nut	1 Pc's	
556	8063756	Cover Terminal block T700s	1 Pc's	
556-a	8901097	Screw Terminal	1 Pc's	



Outer Door

ASKO, T783 US - Stainless (TD60.2)

Pos	Spare part No.	Description	Qty	Comment
601	8076033-91	OUTER DOOR FPR	1 Pc's	
601-a	8900352	Screw Access Panel 05/06	6 Pc's	
602	8083557-49	DOOR INNER PART	1 Pc's	
602-a	8902068	Screw	5 Pc's	
605	8077599-81	HINGE UPPER R	1 Pc's	
605-a	8900327	Screw 20 Torx Self Tapping	3 Pc's	
605-b	8901097	Screw Terminal	1 Pc's	
605-c	8061804	HINGE PIN	1 Pc's	
606	8079489-81	HINGE UPPER L	1 Pc's	
606-a	8900327	Screw 20 Torx Self Tapping	3 Pc's	
606-b	8901097	Screw Terminal	1 Pc's	
606-c	8061804	HINGE PIN	1 Pc's	
608	8076032-81	HINGE DOOR LOWER	1 Pc's	
608-a	8901097	Screw Terminal	2 Pc's	
608-b	8061804	HINGE PIN	1 Pc's	
610	8077485-49	LOCK CATCH	1 Pc's	
612	8077494	DOOR SEALING OUTER	1 Pc's	
612	8082978	DOOR SEALING TD60	1 Pc's	
613	8079750-49	Filter Holder Complete	1 Pc's	
614	8065274	Filter Bracket Seal TD	1 Pc's	
615	8077490-49	LINT FILTER COMPL.	1 Pc's	
616	8061865-81	Hinge Bearing 700 Series	2 Pc's	
617	8061953-81	door plug titanium	1 Pc's	
618	8079247	SEALING FILTER BRACKET INNER	1 Pc's	
619	8077488-49	DOOR PIN	1 Pc's	
622	8076079-49	COVER FOR LOCK/LOCK HOOK	1 Pc's	
622	8076079-81	COVER FOR LOCK/LOCK HOOK	1 Pc's	



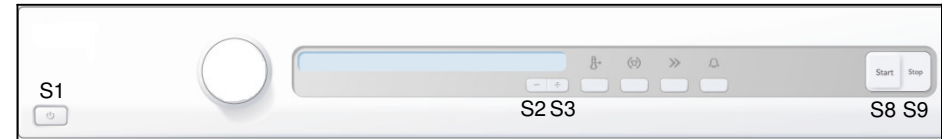
- CABLE POSITIONS**
- 1: THERMISTOR
 - 2: THERMISTOR HEATER
 - 3: INTERIOR LIGHT
 - 4: MOTOR, DRAIN PUMP, FLOAT SWITCH
 - 5: DOOR SWITCH
 - 8: POWER
 - 9: HEATING ELEMENT

—— WIRES IN ALL MACHINES
 - - - WIRES IN SOME MACHINES

*A CONDENSE DRYER
 *B IN SOME MACHINES

RESISTANCES AT ROOM TEMPERATURE (CA. 20°C/68°F)
 VALUES WITH +/-10% ARE REGARDED AS NORMAL COMPONENT

- | | |
|--|--------------|
| F: RADIO INTERFERENCE SUPPRESSION FILTER | 680K Ohm |
| NTC 1: THERMISTOR 1 | 4 - 6 K Ohm |
| NTC 2: THERMISTOR 2: | 4 - 6 K Ohm |
| NTC 3: THERMISTOR 3: | 12 - 8 K Ohm |
| AP: DRAIN PUMP: | 111 Ohm |
| EL: HEATING ELEMENT 550W | 91.4 Ohm |
| EL: HEATING ELEMENT 1050W | 45.3 Ohm |
| EL: HEATING ELEMENT 1950W | 20.5 Ohm |
| MO: MOTOR | |
| T1: THERMOSTAT, OVERHEATING (HEATER) | |
| T2: THERMOSTAT, FAN HOUSING | |
| FB: FLOAT SWITCH | |
| DB: DOOR SWITCH | |
| BE: INTERIOR LIGHT | |



SERVICE MENU

TURN OFF POWER (S1)
 WAIT FOR AT LEAST 5 SEC
 HOLD S2 OR S3
 TURN ON POWER (S1)
 PRESS S2 OR S3 3 TIMES TO ENTER SERVICE MENU

PRESS STOP (S9) TO CHANGE MENU STEP
 ROTATE DIAL TO CHANGE IN STEP
 PRESSING START (S8) STORES AND EXITS SERVICE MENU

STEP 1: PRODUCT DATA
 STEP 2: FAILURE DATA
 STEP 3: COMPONENT TEST

TOTAL RESET

TURN OFF POWER (S1)
 WAIT FOR AT LEAST 5 SEC
 HOLD STOP (S9)
 TURN ON POWER (S1)

CIRCUIT DIAGRAM TD60.2

80 807 13 - 01

This document must not be copied without our written permission, and the contents thereof must not be imparted to a third party nor be used for any unauthorized purpose. Contravention will be prosecuted.
 Asko Cylinda AB